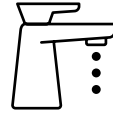
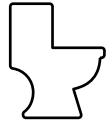
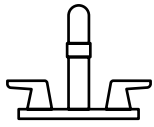


American Standard



**American Standard is devoted to making life,
in the heart of your home, better every day...**

...so, thank you for inviting us in! With the very best in kitchen and bathroom products, we are here to help make your life happier, healthier and simpler. Our commitment to quality, innovation and performance has made us part of your everyday routine for nearly 150 years, and we look forward to being a part of your life for many years to come.

Learn more at www.AmericanStandard.ca

REGISTER WARRANTY

Try the easy-scan **QR code** to quickly enter your information or find your product's detailed warranty here:



AmericanStandard.ca/support/warranty

Registering allows you to keep your product information safe, and us the ability to contact you in the event of a product recall or *any* news about your purchase.

And if ever you have a question or need help...?

Call us at 1-855-815-0004

760424-100 (3/24)

5305A05CH



760424-100

American Standard

OWNERS MANUAL

Minimalist Slow-Close Top Mount Toilet Seat



INSTALLATION INSTRUCTIONS

Thank you for selecting American Standard – the benchmark of fine quality for over 150 years. To ensure this product is installed properly, please read these instructions carefully before you begin. Certain installations may require professional help.

INSTALLATION PREPARATION

- Please unpack carefully and identify all parts needed for installation by using the Box Contents page as a reference. Inspect the product and report any damages or missing parts immediately to customer care by calling (800) 442-1902. Follow the prompts for consumer/bathing. Local building codes vary by location. Observe all local plumbing and building codes.

NOTE: Take extra care in handling the surface.

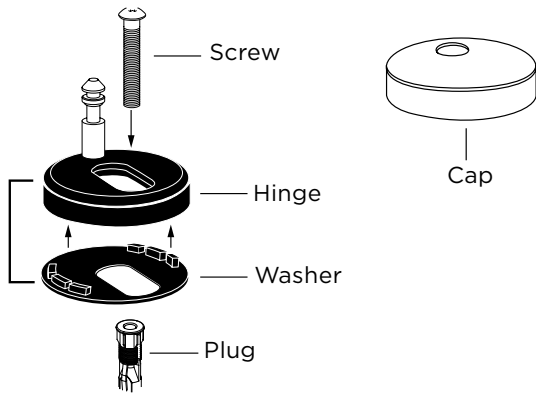
Use only non-abrasive cloths to avoid scratching.

- Wear protective equipment during installation to avoid injury.
- Please keep these instructions for after care and customer service details.

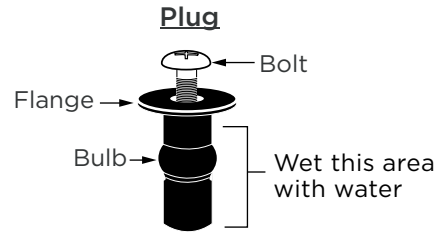
Image shown may vary from product purchased.

INSTALLATIONS

1

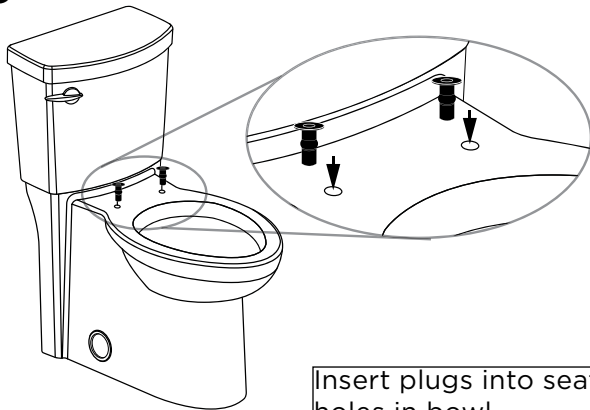


2



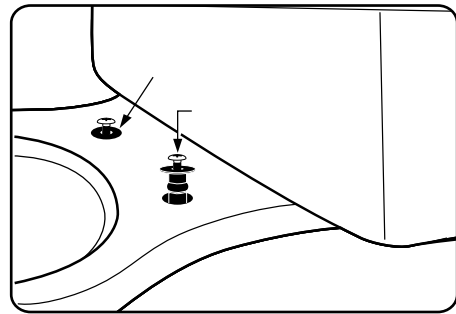
For ease of installation of black rubber plugs, insert steel bolt (capture a few threads), and wet the lower area with some water (soapy water works best).

3



Insert plugs into seat holes in bowl.

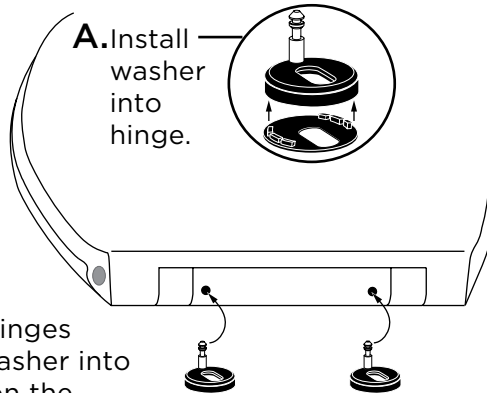
4



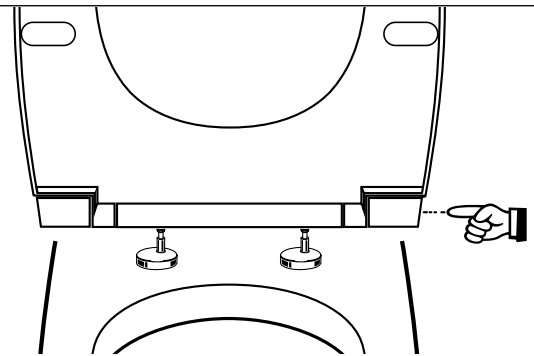
NOTE: FLANGE MUST REMAIN ABOVE THE SURFACE.

DO NOT ALLOW PLUG TO FALL THROUGH!

5



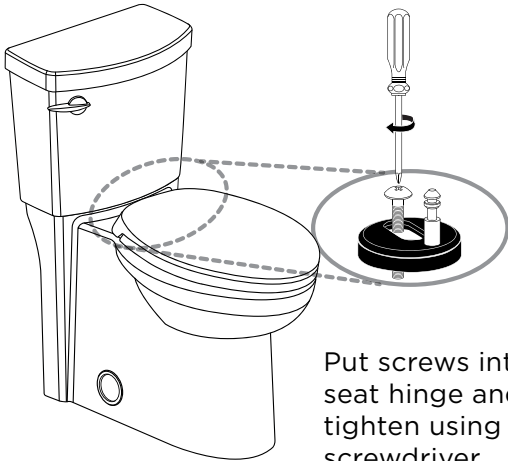
6



Place seat with hinges onto bowl. Align seat with front of bowl.

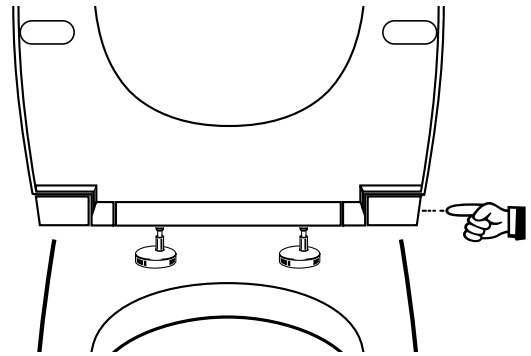
INSTALLATIONS

7



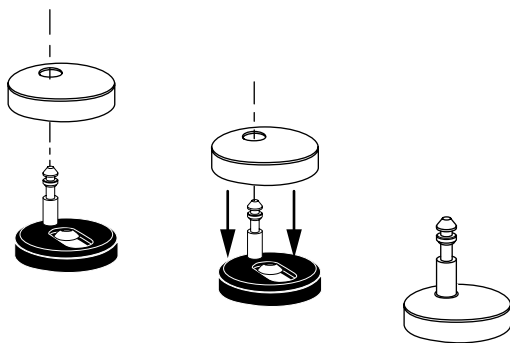
Put screws into seat hinge and tighten using a screwdriver.

8



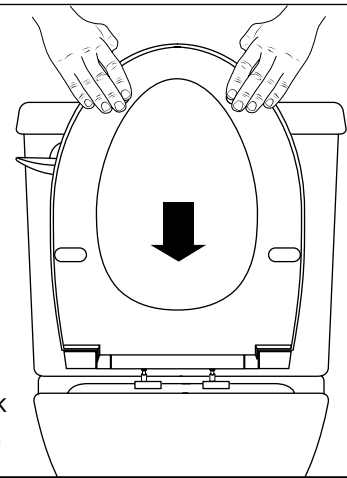
Open the seat and cover. Push outside button to release seat and cover. Pull the seat and cover upwards to take it off the hinges.

9



Place the caps over the hinges.

10



Place seat back on bowl and click seat onto hinges.

CARE AND CLEANING

When cleaning your toilet seat wash it with a mild, soapy water: rinse the seat thoroughly with clear water and dry with a soft cloth.

Avoid detergents, disinfectants, or cleaning products in aerosol cans. Never use abrasive scouring powders on your seat. Some bathroom chemicals and cosmetics may damage the seat's finish. After installation, check the tightness of the bolts from time to time to ensure a tight fit.

TELL US WHAT YOU THINK!

Please leave us a product review or story
at **AmericanStandard.com/reviews**

Find installation videos at
youtube.com/americanstandard

Register your warranty and sign up for an idea-filled newsletter at
AmericanStandard.ca/support/warranty

**PLEASE COMPLETE AMERICAN STANDARD WARRANTY REGISTRATION PROCESS AND
SAVE THIS WARRANTY INFORMATION IMPORTANT:**

Registration of the seat must be completed for this warranty to become effective. Your registration will make it easier to contact you in the event of a product recall.*

INSTRUCTIONS: Register your seat at www.americanstandard.com. Please save your proof of purchase (sale receipt). If you need assistance or do not have access to our website, please contact American Standard Customer Care at: (800) 442-1902. An American Standard representative will assist in completing the warranty registration.

*In California, your warranty rights remain intact even if you do not complete the registration process.



SHARE YOUR NEW PRODUCT!

Tag us **@american_standard** on Instagram
and show us how your new product looks.

≡ WANT MORE INFO?

For questions or help call us at **855-815-0004**,
or visit **AmericanStandard.ca**

UNITED STATES

American Standard Brands
865 Centennial Ave.
Piscataway, New Jersey 08854
Attention: Director of Customer Care
For residents of the United States,
warranty information may also be
obtained by calling the following
toll free number: (855) 815-0004
www.AmericanStandard.com

CANADA

LIXIL Canada, Inc.
5900 Avebury Rd.
Mississauga, Ontario
Canada L5R 3M3
Toll Free: (800) 387-0369
www.AmericanStandard.ca